

	S.C. MultiNET S.R.L. Romania, Baia Mare, Bd. Unirii Nr.11 A/J, Cod: 430271 Tel. 0262-222201, Fax: 0262-220729 arpi@multinet.ro , www.videocapture.multinet.ro R.C.: J24 / 1183 / 1994, C.U.I.: RO 5783680			
			RO-3934 RO-9078	Nr.9078 26-6-2015
25 Ani de Buna Practica in MULTImedia&NETworking	IBAN: RO87 BTRL 0250 1202 A485 12XX Baia Mare			

EXT-TxRx-120

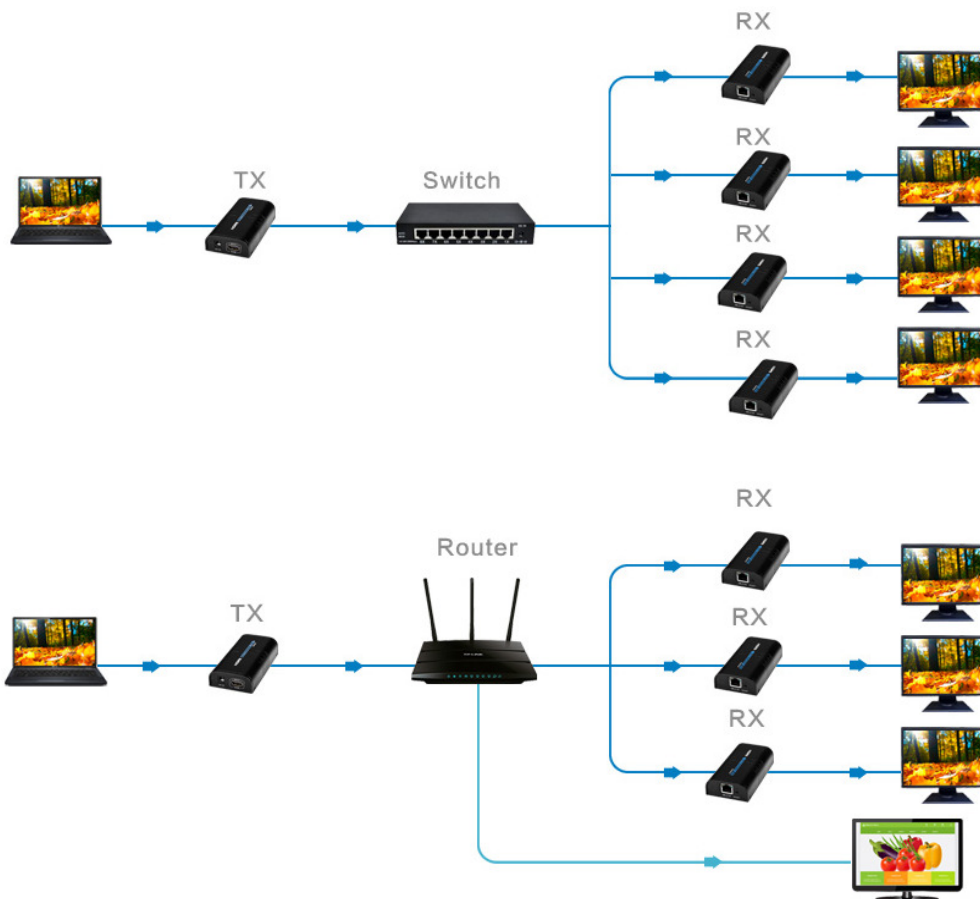
Wired HD Video Transmission Solution 120m



This HDMI Extender takes the advantages of the latest transmission technology to extend your HDMI video with the resolution up to 1080P@60Hz up to 120m/394ft over single network cable.

FEATURES

- Transmits HDMI signal over network cable
- Extends HDMI signal over a single CAT6 up to 120m
 - Up to 1920x1080 resolutions
- Excellent compatibility with HDMI source devices, display devices and network cables
 - Compatible with existing internet
 - Supports 7x24 hours of continuous work
 - Functional as extender & splitter
- Support various kinds of video signal input



 IBM Advanced Business Partner 2019	 Lexmark Lexmark Authorised Premium Partner 2019	 HP Silver Partner 2019	 TOSHIBA Leading Innovation >>> Gold Partner Service&Sales 2019	 Intel Technology Provider Gold 2019	 matrox Digital Video Solutions Dealer Autorizat
--	--	--	---	---	---

	S.C. MultiNET S.R.L. Romania, Baia Mare, Bd. Unirii Nr.11 A/J, Cod: 430271 Tel. 0262-222201, Fax: 0262-220729 arpi@multinet.ro , www.videocapture.multinet.ro R.C.: J24 / 1183 / 1994, C.U.I.: RO 5783680			
			RO-3934 RO-9078	Nr.9078 26-6-2015
25 Ani de Buna Practica in MULTImedia&NETworking	IBAN: RO87 BTRL 0250 1202 A485 12XX Baia Mare			

SPECIFICATIONS

HDMI Signal	HDMI 1.3 , Compatible with HDCP1.2
Transport protocol	HDBiT
Network Cable	UTP/STP Cat5/5e/6
Supports resolutions	480i@60Hz, 480p@60Hz, 576i@50Hz, 576p@50Hz, 720p@50/60Hz, 1080i@50/60Hz, 1080p@50/60Hz
Transmission distance	Up to 120 meters transmission distance for 1080P Full HD over single CAT6. CAT5 80m / CAT5e 100m / CAT6 120m
Working Temperature	0°C ~ 60°C
Power Supply	DC5V/3A
Power Consumption	TX:3.5W; RX:3W
Dimensions	110(W)x 58 (D) x26 (H) mm*2PCS
Weight	TX:125g RX:120g
Color	Black

 IBM Advanced Business Partner 2019	 Lexmark™ Lexmark Authorised Premium Partner 2019	 HP Silver Partner 2019	 TOSHIBA Leading Innovation >>> Gold Partner Service&Sales 2019	 2019	 matrox Digital Video Solutions Dealer Autorizat
--	---	--	--	--	--